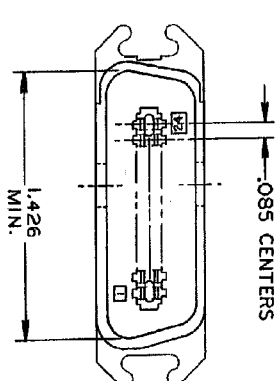
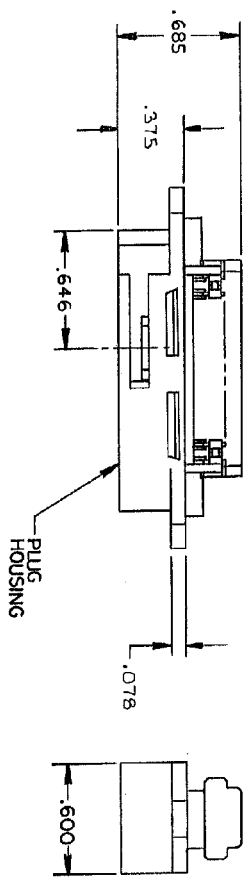
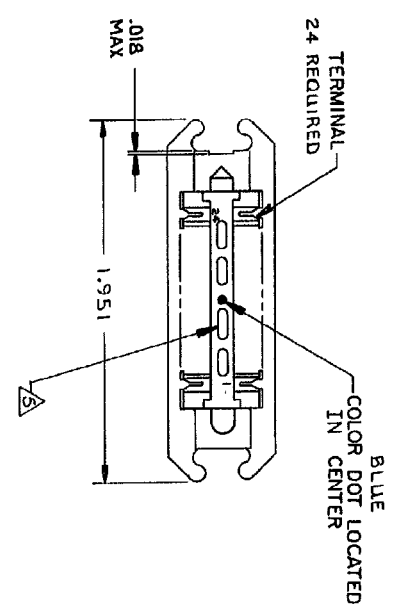


REVOLUTIONS		DATE	BY
GP	00	20/NOV/04	ZR1 WJA
K		REVISED PER ECU-06-00826	



1. THE CONTACT SURFACES OF THE TERMINALS ARE COATED WITH LUBRICANT.
 2. ALL DIMENSIONS SHOWN ARE FOR REFERENCE ONLY UNLESS OTHERWISE SPECIFIED.
- MATERIAL:**
 HOUSING - THERMOPLASTIC (BLACK)
 TERMINALS: - HIGH STRENGTH COPPER ALLOY PLATED WITH .000030 MIN GOLD OR GOLD FLASH OVER .000030 MIN PALLADIUM NICKEL ON CONTACT MATING SURFACE. .000050 MIN NICKEL UNDERPLATE OVER ENTIRE TERMINAL.
4. WIRE SIZE: 24 & 26 AWG SOLID & 24 AWG 7 STRANDS OF COPPER CONDUCTORS. MAX INSULATION DIAMETER OF .045 IS ACCEPTABLE FOR MOST APPLICATIONS.
- △** CORING MAY OR MAY NOT APPEAR AND IS AT THE DISCRETION OF TYCO ELECTRONICS.

THIS DRAWING IS A CONTROLLED DOCUMENT.		DATE	20/NOV/04
DIMENSIONS IN CHES		REV	00
TOLERANCES UNLESS OTHERWISE SPECIFIED		APPROVED	
0 .125	0 .125	DATE	20/NOV/04
1 .125	0 .125	BY	ZR1 WJA
2 .125	0 .125	PRODUCT SPEC	
3 .125	0 .125	APPLICATION SPEC	
4 .125	0 .125	RECORD	
5 .125	0 .125	CUSTOMER DRAWING	
6 .125	0 .125		
7 .125	0 .125		
8 .125	0 .125		
9 .125	0 .125		
10 .125	0 .125		

AS SHOWN	552272-1
DESCRIPTION	PART NO

tyco
 Tyco Electronics Corporation
 Harrisburg, PA 17105-8698

ASSEMBLY, PLUG 24 POSITIONS, B SLOT
 CHAMP-LOK, BULK-LOCK

SIZE DATE CODE DRAWING NO
 A2 00779 552272

SCALE NTS SHEET 1 of 1 REV K